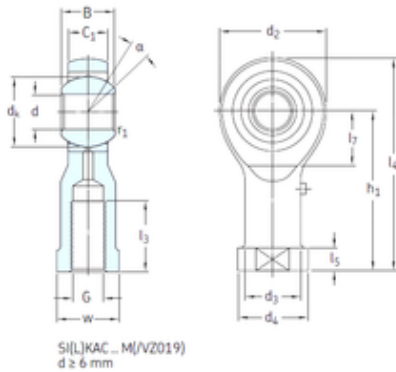




BEARING-MALAYSIA SDN.BHD.

SKF SIKAC10M plain bearings



SIKAC10M Bearing 2D drawings and 3D CAD models

Bearing No. SIKAC10M

Bore Diameter	10 mm
d	10 mm
d2	29 mm
d3	15 mm
d4 max.	20 mm
dk	19 mm
h1	43 mm
l3 min.	15 mm
l4 max.	59 mm
l5	6,5 mm
l7 min.	14 mm
r1 min.	0,3 mm
B	14 mm
C1	11,5 mm
w	17 Tolerance h14
Thread (G)	M10 Tolerance 6H
Angle	13 °
Weight	0,072 Kg
Basic dynamic load rating (C)	10 kN