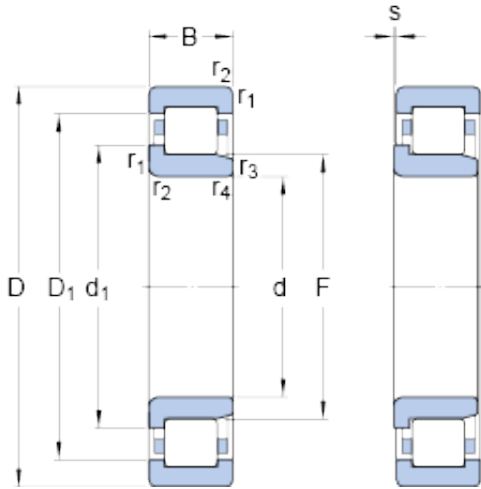




BEARING-MALAYSIA SDN.BHD.



70 mm x 125 mm x 31 mm SKF NJ 2214 ECP
thrust ball bearings

Bearing No. NJ 2214 ECP

Size	125x70x31 mm
Bore Diameter	125 mm
Outer Diameter	70 mm
Width	31 mm
d	70 mm
D	125 mm
B	31 mm
d ₁	89.4 mm
D ₁	108.2 mm
F	83.5 mm
r _{1,2} - min.	1.5 mm
r _{3,4} - min.	1.5 mm
s	1.7 mm
d _a - min.	79 mm
d _a - max.	81 mm
d _b - min.	92 mm
D _a - max.	115.4 mm
r _a - max.	1.5 mm
Basic dynamic load rating - C	180 kN
Basic static load rating - C ₀	193 kN
Fatigue load limit - P _u	25.5 kN
Reference speed	6000 r/min
Limiting speed	6300 r/min
Calculation factor - k _r	0.2

NJ 2214 ECP Bearing 2D drawings and 3D CAD models



BEARING-MALAYSIA SDN.BHD.

Category	Cylindrical Roller Bearings
Inventory	0.0
Manufacturer Name	SKF
Minimum Buy Quantity	N/A
Weight / Kilogram	1.578
EAN	7316577022974
Product Group	B04144
Bore Profile	Straight
Cage Material	Polymer
Precision Class	RBEC 1 ISO P0
Number of Rows of Rollers	Single Row
Separable	Inner Ring - One Side
Rolling Element	Cylindrical Roller Bearing
Profile	Complete with Outer and Inner Ring
Snap Ring	No
Internal Clearance	C0-Medium
Retainer	Yes
Relubricatable	Yes
Inch - Metric	Metric
Other Features	High Capacity 1 Rib Inner Ring 2 Rib Outer Ring Cage on Outer Ring ID
Long Description	70MM Bore; Straight Bore Profile; 125MM Outside Diameter; 31MM Width; Polymer Cage Material; RBEC 1 ISO P0; Single Row; Inner Ring - One Side Separable; No Snap Ring; Relubricatable; C0-Medium Inte
Category	Cylindrical Roller Bearing
UNSPSC	31171547
Harmonized Tariff Code	8482.50.00.00
Noun	Bearing



BEARING-MALAYSIA SDN.BHD.

Manufacturer URL	http://www.skf.com
Manufacturer Item Number	NJ 2214 ECP
Weight / LBS	3.475
Outside Diameter	4.921 Inch 125 Millimeter
Width	1.22 Inch 31 Millimeter
Bore	2.756 Inch 70 Millimeter
bore diameter:	70 mm
precision rating:	RBEC 1 (ISO Class Normal)
outside diameter:	125 mm
maximum rpm:	6300 RPM
overall width:	31 mm
bearing material:	Steel
flanges:	(2) Outer Ring, (1) Inner Ring
cage material:	Polyamide
bore type:	Straight
finish/coating:	Uncoated
number of rows:	1
closure type:	Open
internal clearance:	C0
application:	Piston Type Machines, Rolling Mills, Spindles/Machine Tools
ring separation:	Separable Ring
outer ring width:	31 mm
operating temperature range:	Maximum of +300 ° F
fillet radius:	1.5 mm
dynamic load capacity:	180 kN
series:	NJ22
static load capacity:	193 kN
d ₁	89.4 mm
D ₁	108.2 mm



BEARING-MALAYSIA SDN.BHD.

$r_{1,2}$ min.	1.5 mm
$r_{3,4}$ min.	1.5 mm
s max.	1.7 mm
d_a min.	79 mm
d_a max.	81 mm
d_b min.	92 mm
D_a max.	115.4 mm
r_a max.	1.5 mm
Basic dynamic load rating C	180 kN
Basic static load rating C_0	193 kN
Fatigue load limit P_u	25.5 kN
Calculation factor k_r	0.2
Limiting value e	0.3
Axial load factor Y	0.4
Mass bearing	1.51 kg