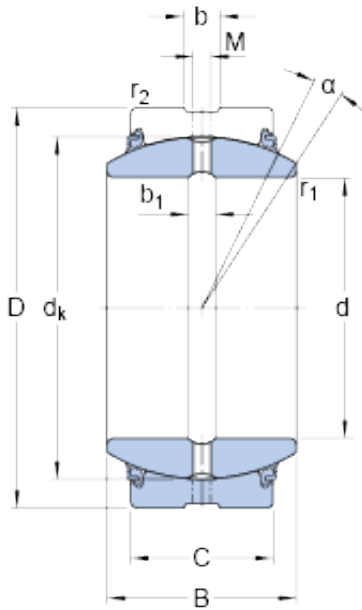




BEARING-MALAYSIA SDN.BHD.

110 mm x 160 mm x 70 mm SKF GE 110 ES-2LS
plain bearings

Bearing No. GE 110 ES-2LS



GE 110 ES-2LS Bearing 2D drawings and 3D CAD models

Size	160x110x70 mm
Bore Diameter	160 mm
Outer Diameter	110 mm
Width	70 mm
d	110 mm
D	160 mm
B	70 mm
C	55 mm
	6 °
d _k	140 mm
b	11.5 mm
b ₁	11.5 mm
M	5 mm
r ₁ - min.	1 mm
r ₂ - min.	1 mm
d _a - min.	118 mm
d _a - max.	121 mm
D _a - min.	141.5 mm
D _a - max.	153 mm
r _a - max.	1 mm
r _b - max.	1 mm
Basic dynamic load rating - C	655 kN
Basic static load rating - C ₀	3250 kN
Specific factor dinamic load - K	100 N/mm ²



BEARING-MALAYSIA SDN.BHD.

Specific factor static load - K_0	500 N/mm ²
Constant - K_M	330
Lubricant	Regular relubrication – grease
Design (sliding contact surface combination)	Steel/steel
Sealing solution	Triple-lip seals
	6 °
d_k	140 mm
b_1	11.5 mm
r_1 min.	1 mm
r_2 min.	1 mm
d_a min.	118 mm
d_a max.	121 mm
D_a min.	141.5 mm
D_a max.	153 mm
r_a max.	1 mm
r_b max.	1 mm
Basic dynamic load rating C	655 kN
Basic static load rating C_0	3250 kN
Specific dynamic load factor K	100 N/mm ²
Specific static load factor K_0	500 N/mm ²
Material constant K_M	330
Mass plain bearing	4.8 kg